



biz²Viewer

***Display of Raster Graphics (simple Pixelviewer
developed for SAP Archive environment)***

Product Presentation

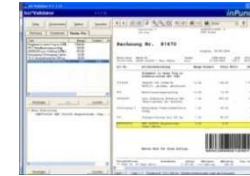
inPuncto GmbH
Fabrikstr. 5
73728 Esslingen
Tel: +49 (0) 711 66188 511
Fax: +49 (0) 711 75878614
www.inpuncto-gmbh.com



biz²Scanner
(scan-on-demand integration,
any SAP objects)



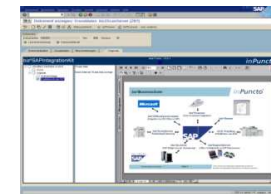
biz²Viewer
(pixel-based doc viewer,
singleprint, eMailing, print to scale)



biz²Validator
(ergonomic Workflow-Add-on)



biz²OfficeSynchronizer
(integration of MS-Office into SAP)



biz²Explorer
(display of eRecords
direct in SAP structures)

biz²ScanServer
(batch scanning; data recognition)



biz²Archiver
(SAP storage and opt. archiving)



biz²ExportServer
(Offline availability of
SAP data and documents)



**SAP and R/3® are registered trademarks of SAP AG®
Microsoft ® is registered trademark of Microsoft Corporation

What is biz²Viewer?

inPuncto[®]

biz²Viewer...

- is a tool for visualization of captured documents
- is developed particularly as SAP Archive Viewer
- can be started within a Microsoft Internet Explorer browser or within a separate SAP GUI client
 - the user works exclusively with familiar graphical user interface of the SAP client (SAP GUI) GUI
- is an easy-to-use tool because of its simple and clearly arranged functionalities

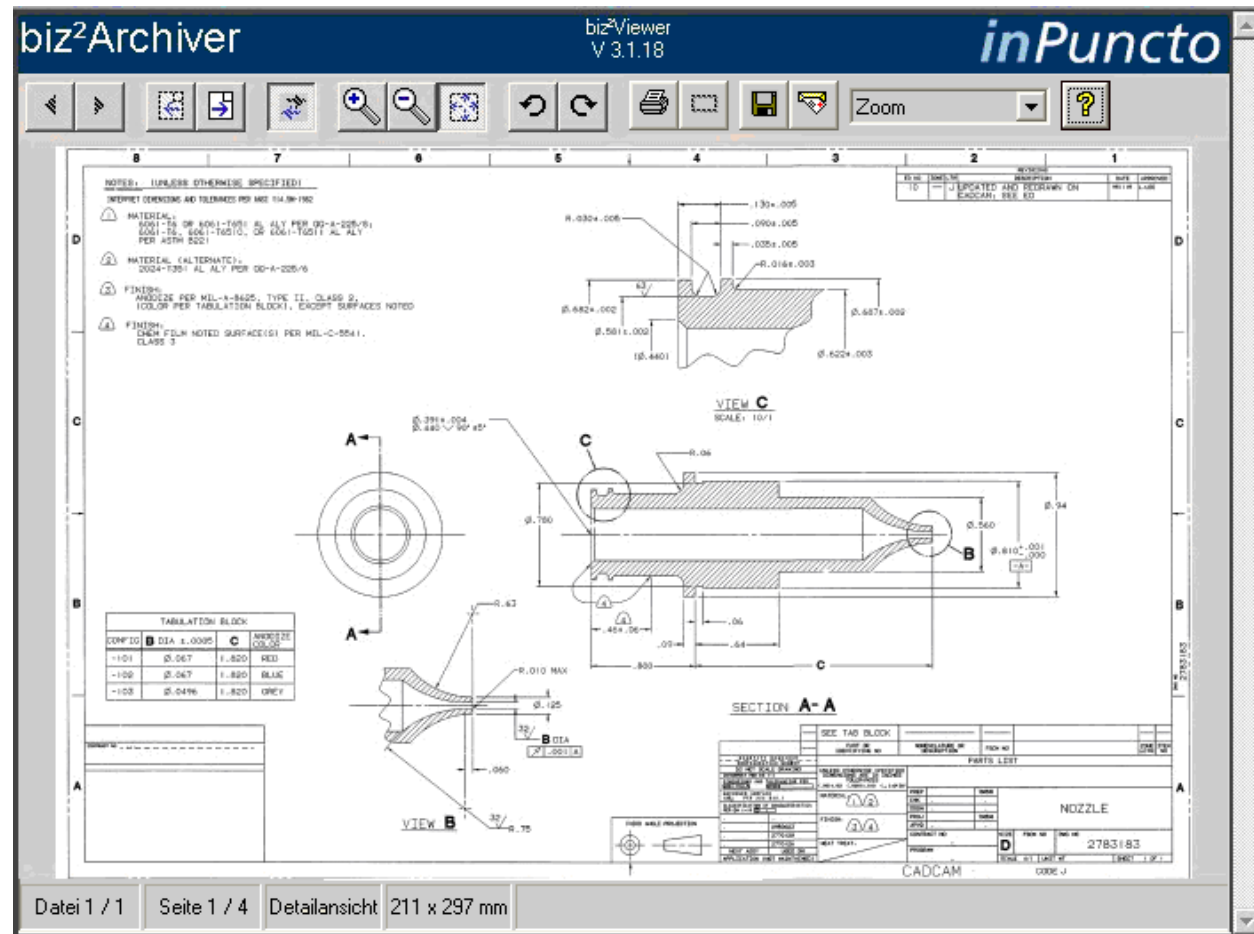
- The biz²Viewer is developed and adjusted exactly to the requirements of SAP users for the archive settings
- Here: Display of a FI-document out of the attachment list

The screenshot shows two overlapping windows. The top window is the SAP 'Belegübersicht' (Document Overview) interface. It features a menu on the left with options like 'Anlegen', 'Anlagenliste', and 'Verknüpfungen'. A table in the center lists document items with columns for 'Pos.', 'Objekt', and 'Beschreibung'. A red arrow originates from the 'Anlagenliste' menu and points to the 'biz2Viewer_Front' window below it.

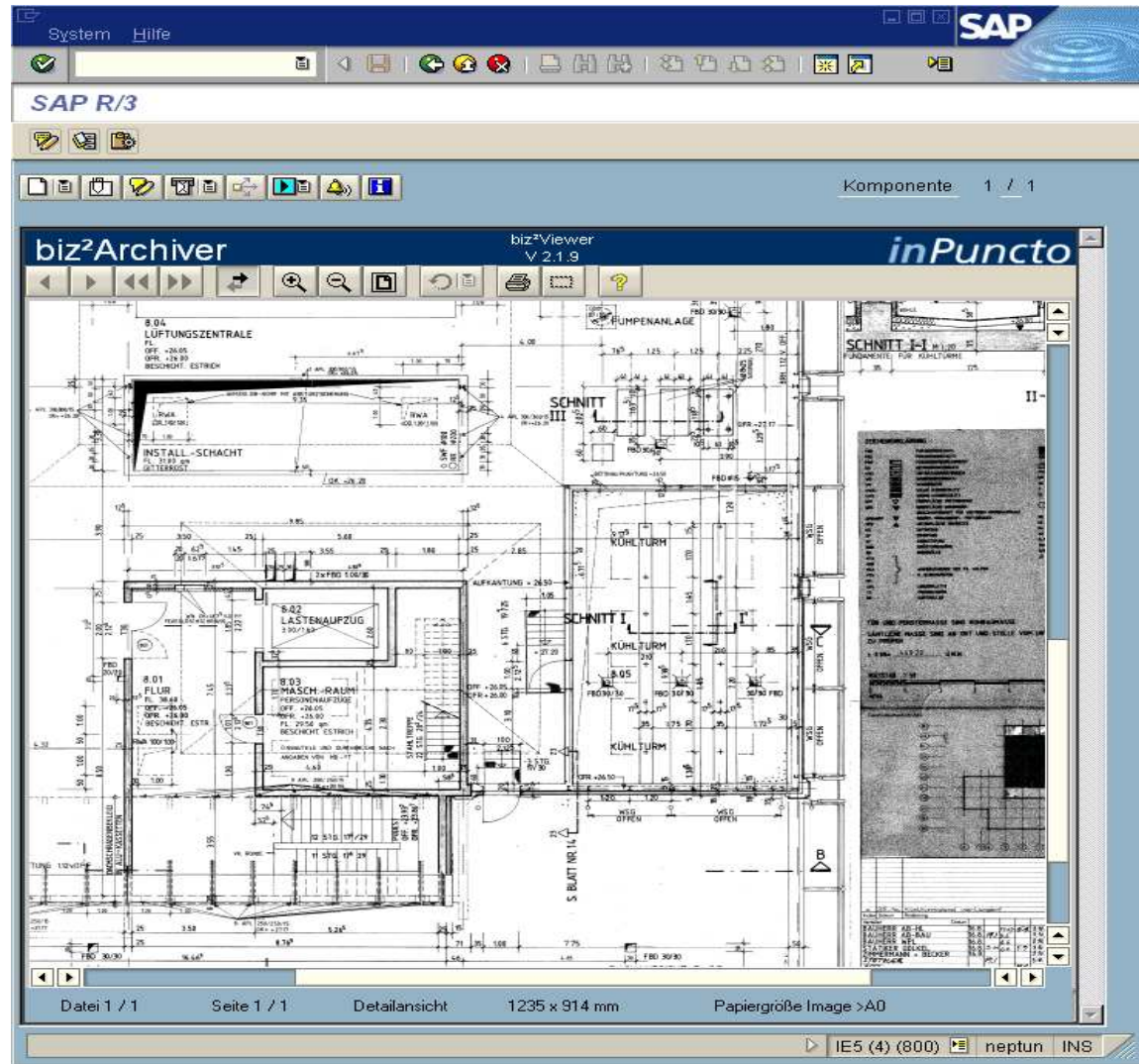
The 'biz2Viewer_Front' window displays a scanned invoice document. The document includes a barcode at the top, followed by header information such as 'RECHNUNG Nr. 100702-110'. Below this is a table of items with columns for 'Bezeichnung', 'Menge', 'Einheit', 'Netto', and 'Brutto'. The invoice concludes with a total amount and a footer containing contact information for 'inPuncto GmbH'.

Bezeichnung	Menge	Einheit	Netto	Brutto
Rechner	2		800,00 €	1.200,00 €
Scanner	1		1.500,00 €	1.500,00 €
Monitor	8		400,00 €	2.400,00 €
Hardy	10		200,00 €	2.000,00 €
Drucker	2		2.000,00 €	4.000,00 €
Summe			11.900,00 €	13.200,00 €

- The viewer is realised as browser-compliant control tool
- Thus it can be integrated into the SAP GUI, and also it can be used in a separate Internet Explorer window
- The Viewer draws the image files direct out of the archive/ storage system via HTTP-Protocol, i.e. SAP Server is not burdened through this communication



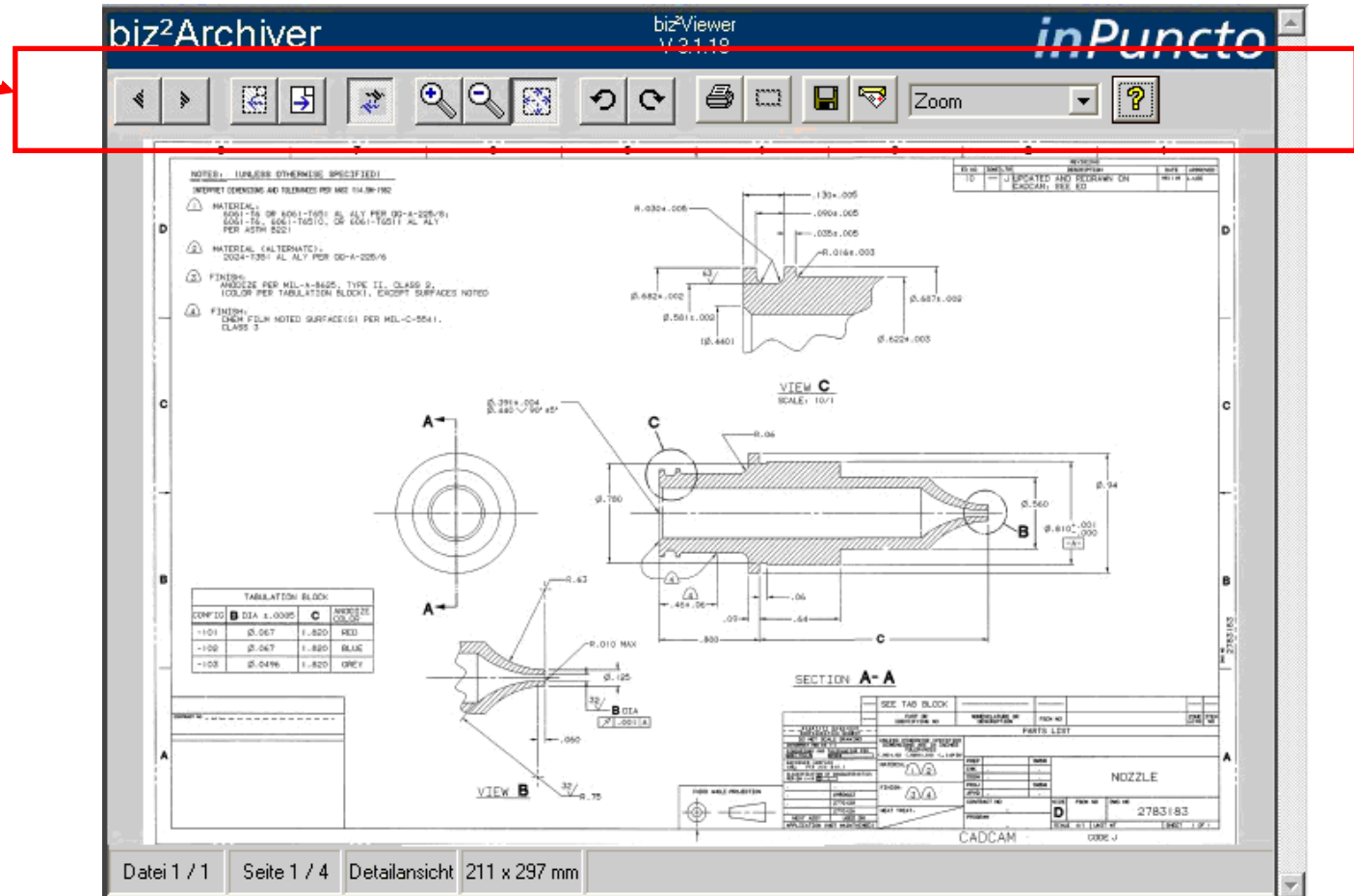
- The biz²Viewer is thoroughly integrated in the SAP System
- Here: biz²Viewer is initiated in a SAP GUI client



Menu Bar

■ Some of the standard functionalities of the biz²Viewers are e.g.

- scroll between files (if more than one are opened)
- scroll within a multipage file
- rotate the file at 90° degrees
- zoom in/zoom out
- set printing area
- print
- send document via email
- etc.





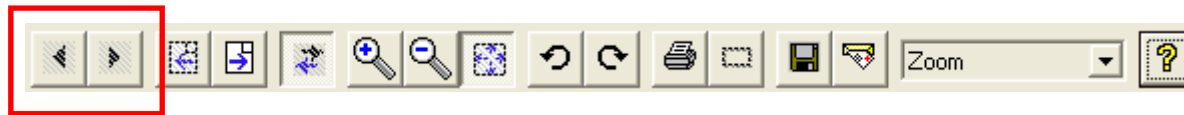
- There are two different imaging modes - preview and detailed imaging



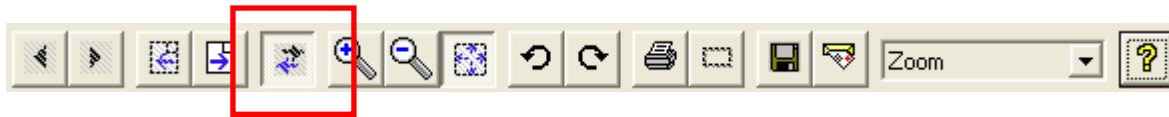
- A partial area of a large document (e.g. extract of an A0-document) can be printed out true to scale



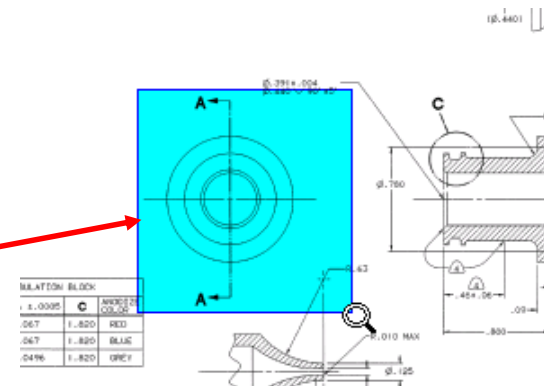
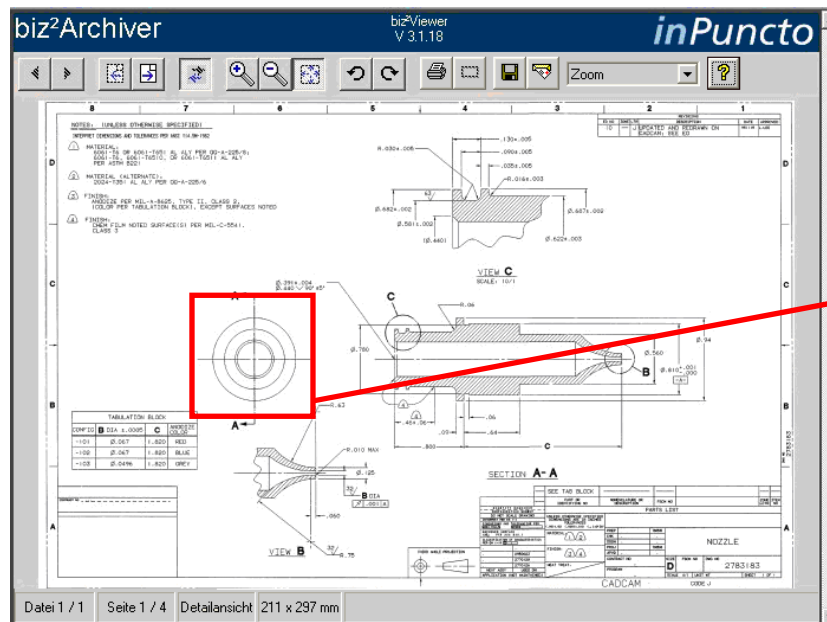
- if the pages of a multipage document are transmitted via the network separately, in other words, transmitted are only data, which are actually needed
 - for example in a 100 paged document we can skip directly to page 83
 - this function is only available with the product biz²Archiver



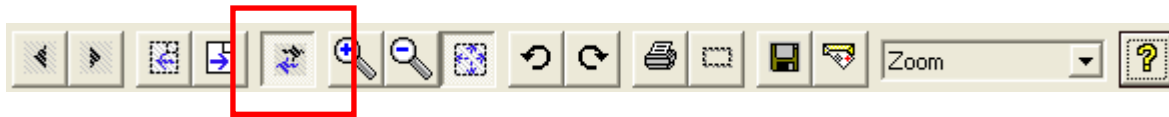
- supporting the optional Add-on of the hierarchic class search in SAP one can scroll into multipage documents



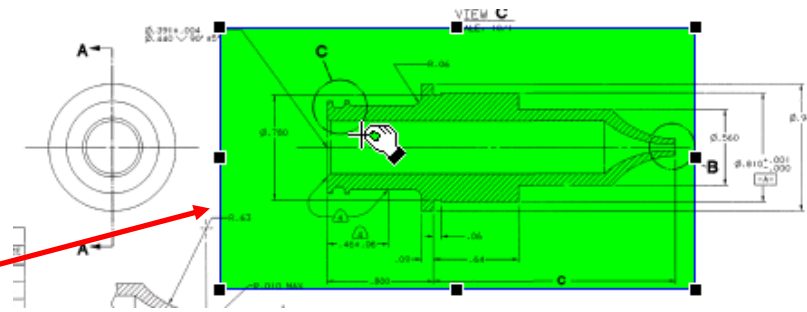
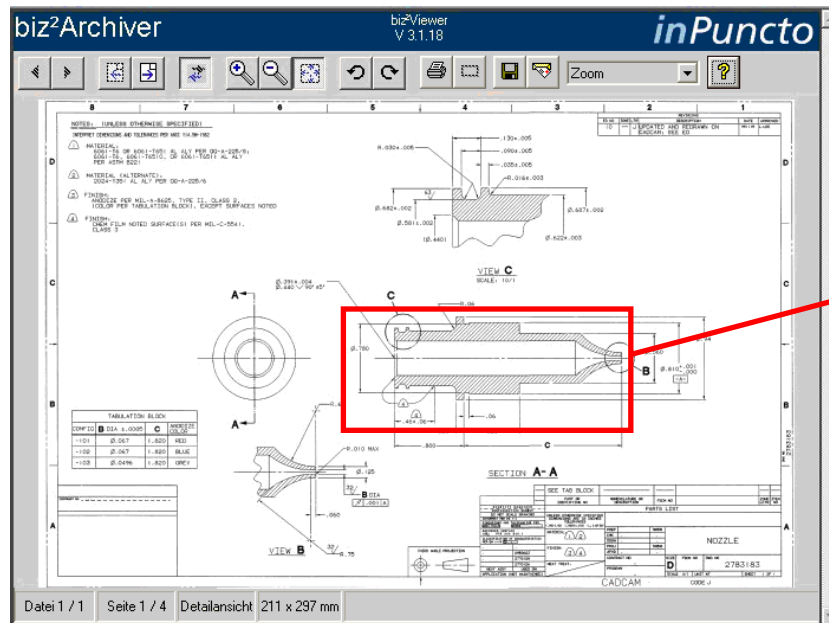
- Functions such as zoom in, zoom out, display page in 100 percent, print etc. are only in detailed view available
- Additional mouse functions are available in detailed view mode: zoom, select, measure etc.



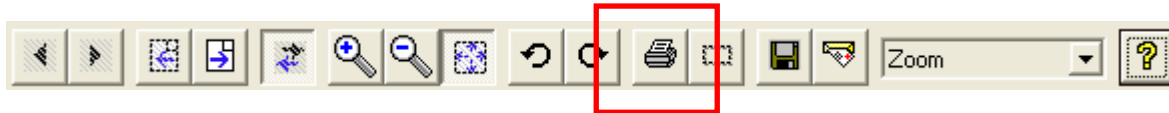
e.g. left mouse click -> zoom in (10 percent steps)



- as long as the function „set/cancel printing area“ is activated, one can draw frames around the area that should be printed, free-hands as holding the link mouse button down



e.g. holding link button down-> draw around printing area



- There are two ways to print a document using the biz²Viewer:

1. Resize/resample (scaled) to a sheet size

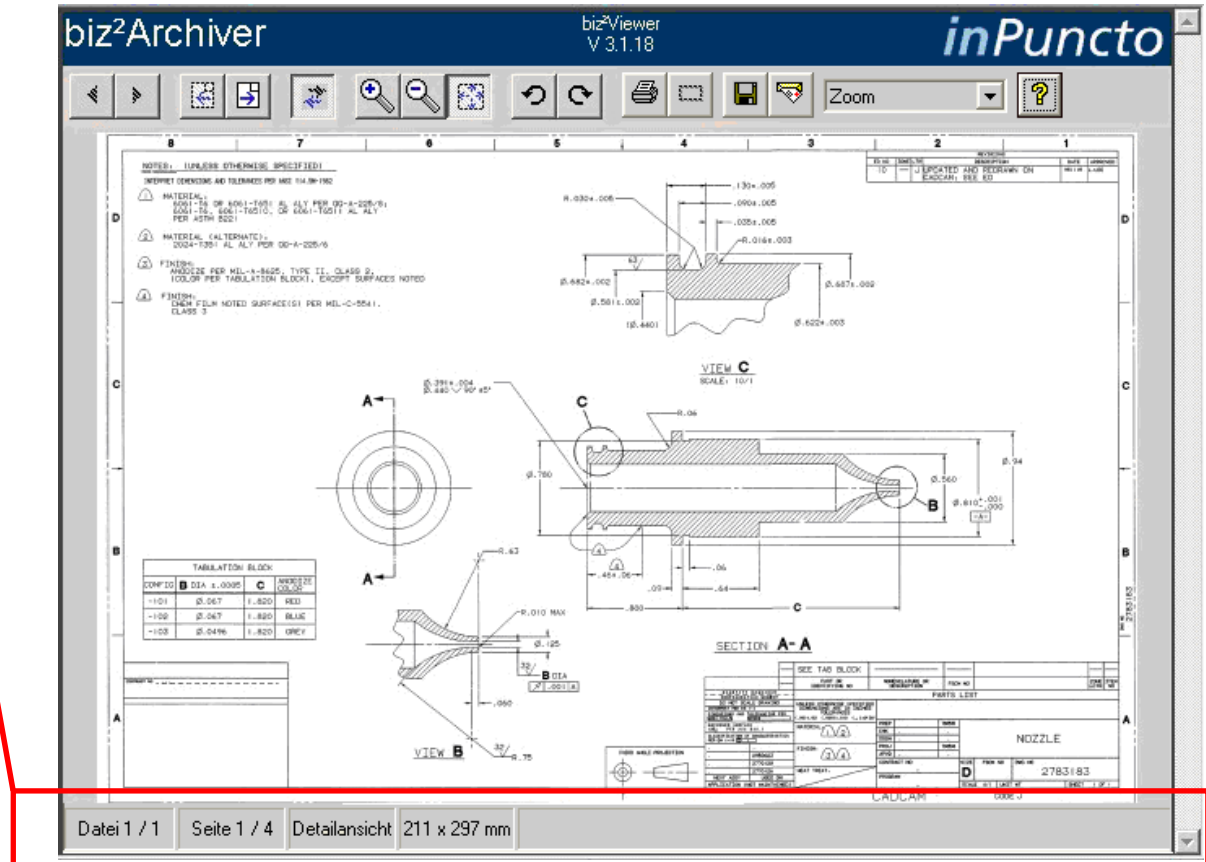
Scaled up/scaled down reproduction of the document / of the printing area with perserved aspect ratio (example: A0 drawing resized to A3) or

2. Print to scale

True to the original size reproduction of the document / of the printing area in original size (example.: A0 drawing)

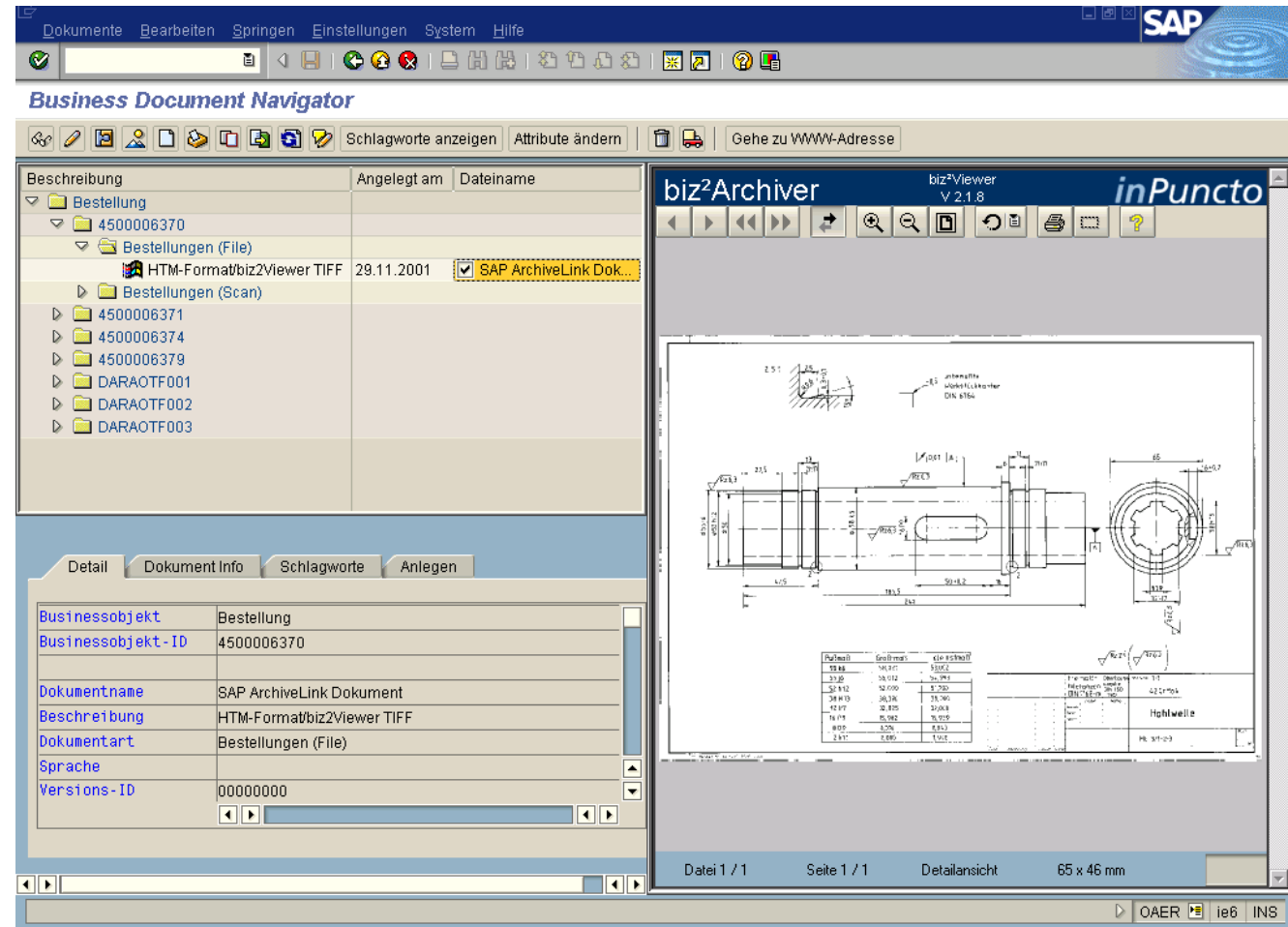
Datei 1 / 1 Seite 2 / 2 Detailansicht 217 x 140 mm Papiergröße Image < A4

- contains information about...
 - number of displayed documents
 - number of displayed pages
 - preview/detailed view
 - image size
 - page size for printing



- supports the following data-formats:
 - BMP, CALS, DCX, DIB, ICO, JPG, MOD:CA, PBM, PCX, PGM, PIC, ePIC, PNG, PPM, RLE, TGA, TIF, WMF
 - optional GIF and LZW-TIF
- preferable and recommended format is a multipage-TIFF (MP-TIFF):
 - TIFF format has been set as standard archiving format
 - characteristic for TIFF is that it can not be altered - which is important for the verification of the originals
 - biz²Viewer supports the skip to a certain page of the MPTIFF
 - black-white pictures can be filed with the compressing fax group 4

- The biz²Viewer is completely integrable into the BDN interface



Thank you very much for your attention!



Contact:

Dr. Frank Marcial

Ph: +49 (0)711 66188 500

Fax: +49 (0)711 75878614

frank.marcial@inpuncto-gmbh.com